

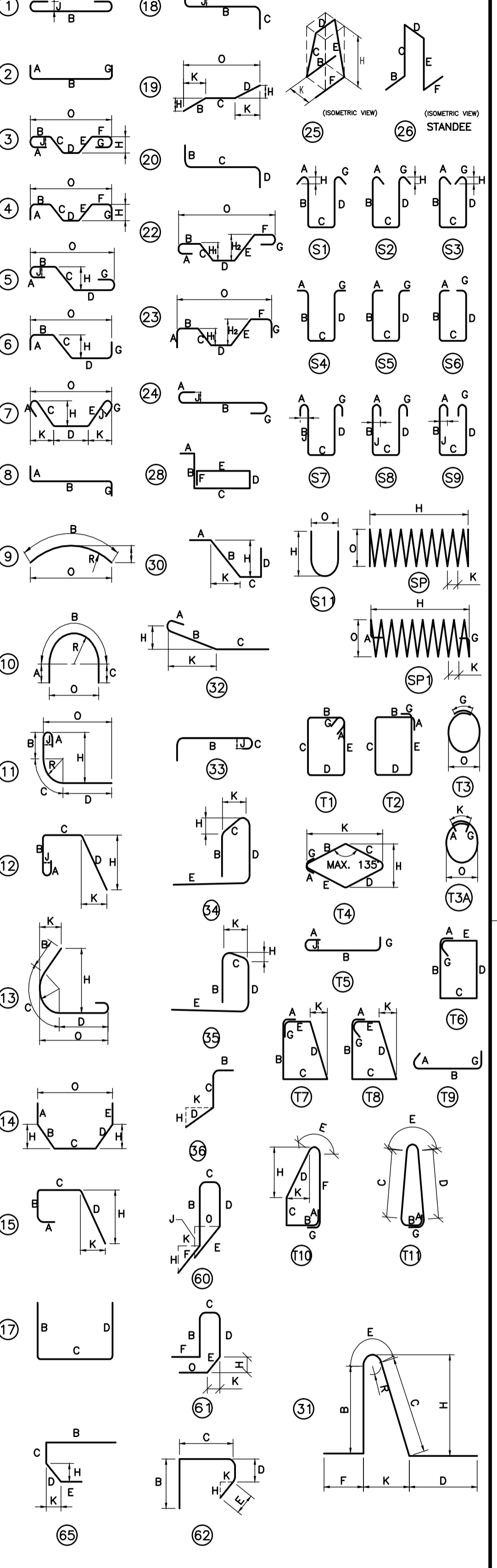
BILL OF REINFORCING - STAINLESS STEEL

Table with columns: MARK, NO. BARS, SIZE, LENGTH, TYPE, A, B, C, D, E, F, G, H, J, K, O, R, TOTAL (m), MASS (kg). Includes sub-sections for PHASE 1 - NORTH ABUTMENT REINFORCING and PHASE 2 - SOUTH ABUTMENT REINFORCING.

Table with columns: MARK, NO. BARS, SIZE, LENGTH, TYPE, A, B, C, D, E, F, G, H, J, K, O, R, TOTAL (m), MASS (kg). Includes sub-sections for PHASE 3A - NORTH ABUTMENT REINFORCING and PHASE 3B - SOUTH ABUTMENT REINFORCING.

Table with columns: MARK, NO. BARS, SIZE, LENGTH, TYPE, A, B, C, D, E, F, G, H, J, K, O, R, TOTAL (m), MASS (kg). Includes sub-sections for PHASE 4 - NORTH ABUTMENT REINFORCING and PHASE 5 - SOUTH ABUTMENT REINFORCING.

BENDING DIAGRAMS:



STAINLESS STEEL REINFORCING SHALL BE FABRICATED IN ACCORDANCE WITH THE LATEST EDITION OF THE REINFORCEMENT STEEL MANUAL OF STANDARD PRACTICE BY THE REINFORCING STEEL INSTITUTE OF CANADA (RSIC) TO THE LENGTHS AND SHAPES AS SHOWN ON THE DRAWINGS.

- NOTES: 1. ALL DIMENSIONS ARE OUT-TO-OUT OF A BAR EXCEPT "A" AND "G" ON STANDARD 180° AND 135° HOOKS... 2. "J" DIMENSION ON 180° HOOKS TO BE SHOWN ONLY WHERE NECESSARY TO RESTRICT HOOK SIZE... 3. ON TRUSS BARS "J" WILL BE KEPT EQUAL TO OR LESS THAN "H"... 4. ON STRUTS "H" DIMENSION SHOULD BE SHOWN ONLY WHERE NECESSARY TO FIT WITHIN CONCRETE... 5. CRITICAL DIMENSIONS ARE TO BE WHERE BARS ARE TO BE BENT MORE ACCURATELY THAN STANDARD BENDING TOLERANCE... 6. ON TYPE "T3" "K" IS EQUAL TO CLASS "S" SPLICE... 7. FIGURES SHOWN IN CIRCLES SHOW TYPES... 8. ALL BAR BENDS OTHER THAN THE TYPES SHOWN MUST BE DESIGNATED AS TYPE "X".

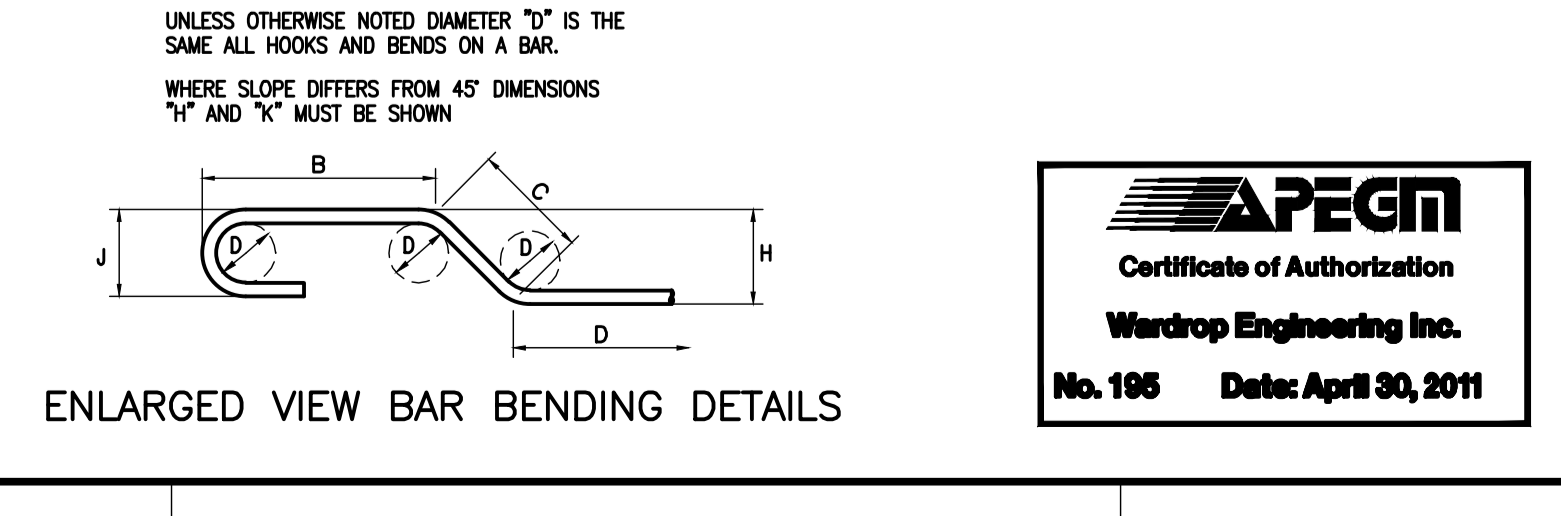
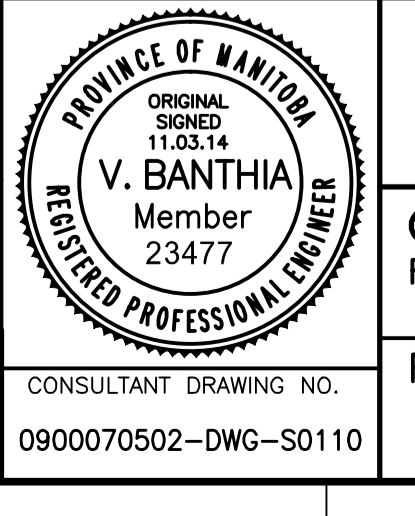


Table with columns: B.M. ELEV., F.B., NO., REVISIONS, DATE, BY. Includes entry: 00 ISSUED FOR ADDENDUM 3 11.03.14 VB

Table with columns: DESIGNED BY, CHECKED BY, DRAWN BY, APPROVED BY, HOR. SCALE, VERTICAL, RELEASED FOR CONSTRUCTION, DATE, ORIGINAL SIGNED. Includes WARDROP logo and 'ATERRA TECH COMPANY'.



THE CITY OF WINNIPEG PUBLIC WORKS DEPARTMENT ENGINEERING DIVISION OSBORNE STREET BRIDGE REHABILITATION & RELATED WORKS CITY DRAWING NUMBER B109-11-115 SHEET OF 131 REINFORCING SCHEDULE 110